



Automatic Weigh, Price, Seal & Label MAP Tray Sealer

MODEL: LX-5600

Revolutionising backroom operations, the LX-5600 is DIGI's world-first fully integrated tray sealer capable of trade-approved weighing, pricing, gas flushing, top sealing and labelling fresh food.



DIGI's LX-5600 tray sealers unlock the performance potential of your backroom with efficiency, economic and ecological impact.

The LX-5600 breaks new ground as a world first fully automatic tray sealer capable of trade approved weighing, pricing, top tray sealing and labelling fresh food in one quick pass.

Extend shelf life, minimise spoilage, safeguard food safety and delight your customers with leakproof packaging. LX-5600 Weigh-Price-Seal-Label machines deliver all that in one compact package that saves on floor space, packaging film, power consumption and food-safe gas.

Time saving design means operators can easily switch between gases for each PLU, and change moulds quickly without specialised training.



Prolonged Food Freshness

MAP gas-flush technology maintains food freshness and extends shelf life with substantial benefits including; reducing the need for discounting product due to imminent expiration dates, minimising expired food in store, reducing food waste, improving customer satisfaction as they have longer to fully consume purchases with minimal spoilage.



Easy & Simple Mould Change

LX-5600's tool-less mould change process is quick and intuitive eliminating the need for special operator training. Mould trays are compact and lightweight with a convenient integrated storage space to ensure spare moulds are always on hand.



Premium Presentation

In addition to reducing food spoilage and improving food safety, the LX-5600 delivers premium leakproof packaging that heightens consumer appeal and confidence that ultimately increases your brand value and turnover.



Specifications may change without notice

Automatic Weigh-Price-Seal-Label MAP Tray Sealer

Model : LX-5600

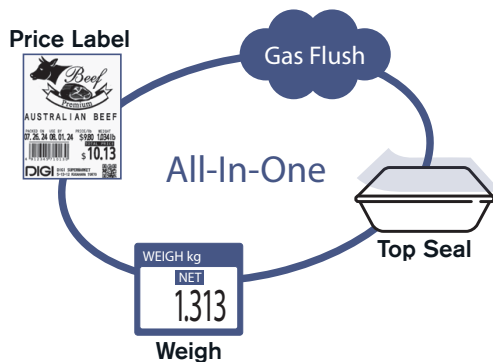
Efficient, Economical & Ecological

Designed for operational efficiency whilst minimising both running costs and environmental impact, LX-5600's eliminate the need for a vacuum pump and compressor. When compared with conventional MAP machines, LX-5600's have a lower power consumption and use less food-safe gas through gas flushing technology.



Compact Footprint

With a small footprint of just 1.3 m², the LX-5600 is as compact as it is impressive and will easily fit into backroom environments, maximising space and efficiency.



Features Overview

- NMI approved for trade use
- weigh, price, gas flush, top seal and label fresh foods in seconds
- seal up to 17 packs per minute (time depends on film, gas and tray size)
- automatically trims and rewinds film salvage
- easy and simply mould change
- integrated mould storage
- large 15" full colour touch screen
- small footprint of just 1.3 m² allows for flexible installation layouts, easily fitting into backroom spaces
- several labeller options: single, double or triple. Time and label costs are saved through multiple labelling options as two or three labels are applied all in one pass when the tray is weighed and sealed
- supplied with two gas tanks as standard
- easily switch between two types of gases for each PLU
- PLU can be programmed with the correct gas type or no gas
- linerless labelling and die-cut label models available

Specifications may change without notice

Automatic Weigh-Price-Seal-Label MAP Tray Sealer

Model : LX-5600

Gas Setting Per PLU

Easily switch between two types of gases for different PLUs. PLU can be programmed with the chosen gas type or no gas.

Multiple Labelling Options

In addition to the main labeller, you have the options for a factory-fitted second POP and bottom labeller enabling simultaneous application of up to three labels per tray.

Energy-Saving

Advanced gas flushing technology reduces the amount of food-safe gas required.

Lower power consumption compared with equipment that requires a vacuum pump and compressor.

Mould Storage

Convenient interior mould storage space means moulds are always on hand.

Compact

A small footprint of just 1.3 m³ allows for flexible installation layouts and easily fits into backroom spaces.

Easy Mould Change

Tool-less mould change and compact lightweight design means operators can change between moulds quickly and with minimal effort.



Minimise 3 Major In-Store Losses by Extending Shelf Life



DISPOSAL LOSS
due to extended availability on the shelves



DISCOUNT LOSS
from product approaching expiration dates



SALES OPPORTUNITY LOSS
with shelves constantly stocked from store opening to closing.



Specifications may change without notice

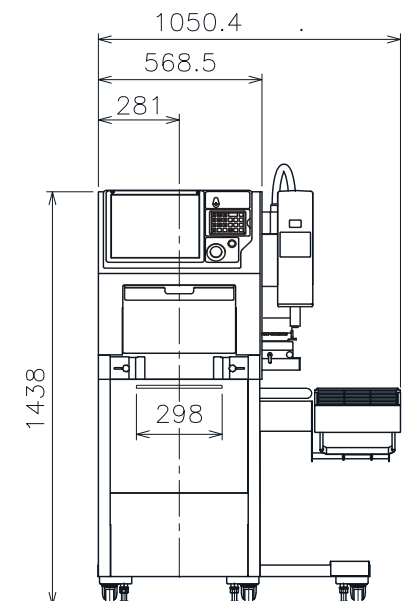
Automatic Weigh-Price-Seal-Label MAP Tray Sealer

Model : LX-5600

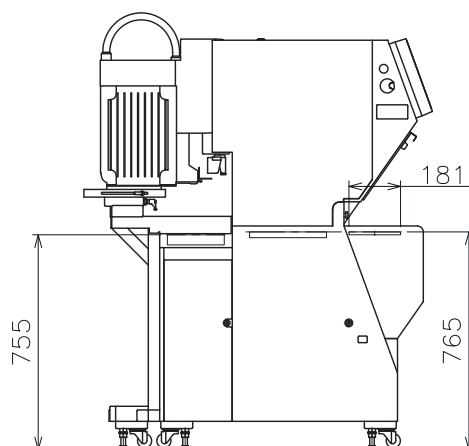
SPECIFICATIONS

Weighing Capacity:	6 / 15 kg x 2 / 5 g (multi-interval)	
Mould sizes (mm):	Standard 9x7 Height	220 (W) x 170 (D) 15 - 90
	<i>Custom moulds available on request with the following min/max possible sizes:</i>	
	Minimum	200 (W) x 120 (D) x 15 (H)
	Maximum	300 (W) x 210 (D) x 90 (H)
Packing speed:	Top Seal Only: Gas Flushing:	Maximum 17 packs per minute* Estimated 8 - 12 packs per minute*
	* Packing speeds vary depending on tray size, film and gas fill time	
Film Width (mm)	260 - 360	
Film Diameter (mm)	250 Max	
Main & POP Labels:	Thermal Linerless	Thermal Die-Cut
Label Width (mm):	44 - 59	40 - 80
Label Length (mm):	28 - 105	28 - 105
Bottom Label:		
Label Width (mm):	44 - 59	-
Label Length (mm):	40 - 105	-
Display Panel:	15 inch TFT colour touch panel	
Programmable Items:	PLU no., commodity name, ingredient, unit price, price, tare weight, best-before-date, use-by-date, department name, barcode (EAN, 2D), target weight, special message, advertising message, shop name & logo, extra print format etc.	
Power requirement:	Single phase, 200 - 240 V, 50 Hz, 6 A	
Overall dimensions (mm):	1050 (W) x 1224 (D) x 1443 (H)	
Net weight:	Approximately 230 kg	

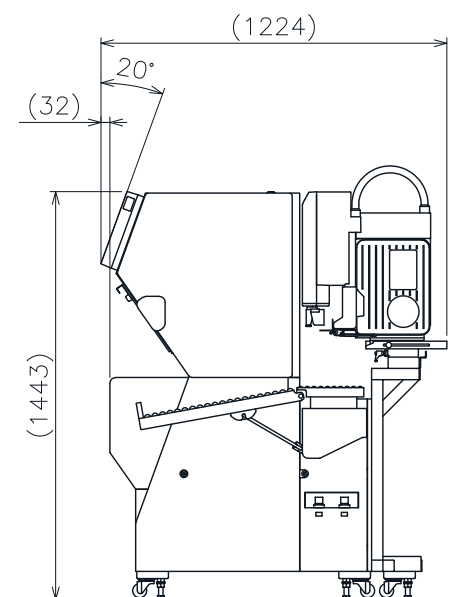
FRONT VIEW



LEFT VIEW



RIGHT VIEW



Specifications may change without notice

PACKAGING EQUIPMENT

LABELS | LABELLING EQUIPMENT | PACKAGING EQUIPMENT
ESL & DIGITAL SIGNAGE | WEIGHING SCALES | POS SYSTEMS
FOOD EQUIPMENT | MAINTENANCE & REPAIRS | HIRE

1300 970 111
enquiries@wedderburn.com.au
www.wedderburn.com.au